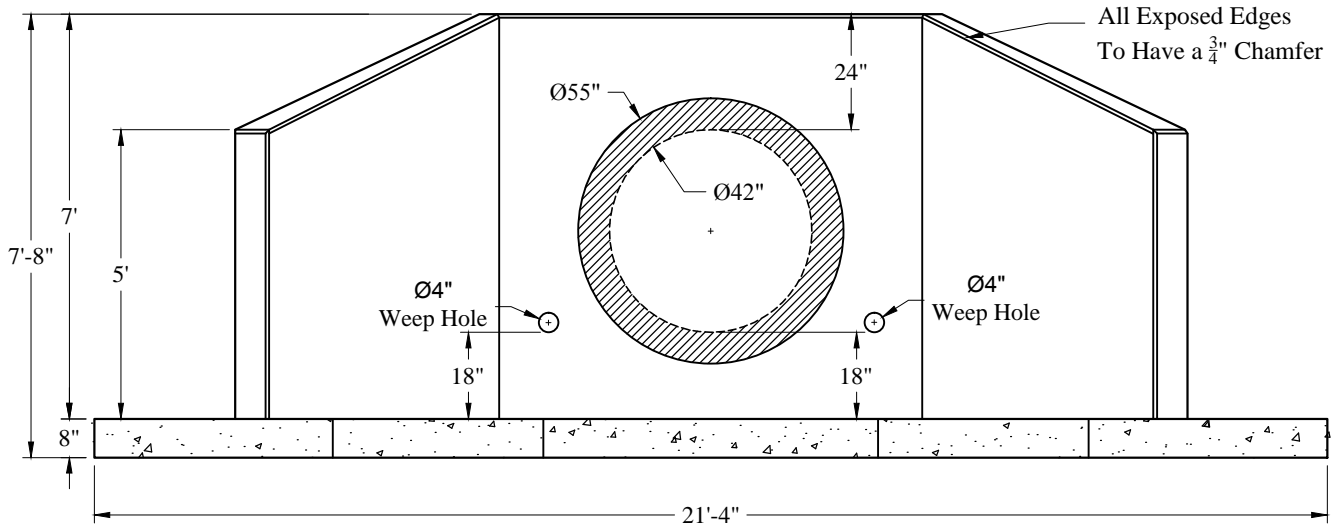
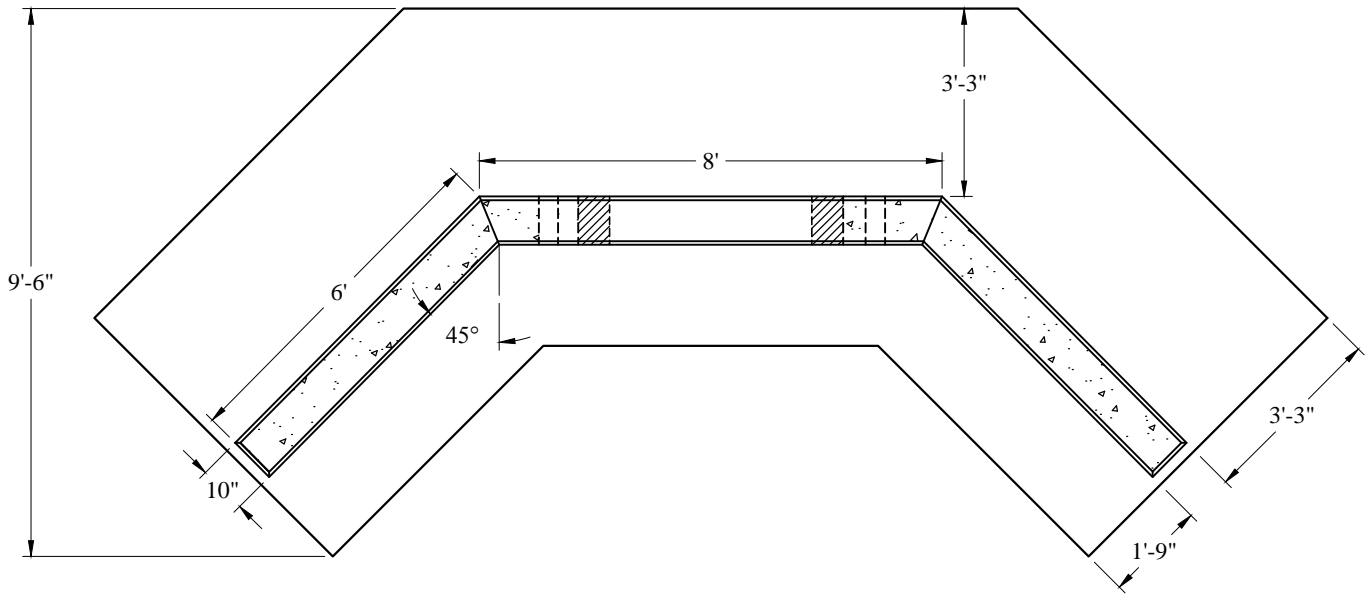


1-800-639-2199

Fax (603) 224-2927

Headwalls\Standard\Wing Walls\42 in\_Pipe\_Wing Wall with Base (v)



Est Weight: 25,200 Lbs

**General Notes**

1. Precast Concrete Shall Conform to AASHTO M 199. Concrete Shall be Class AAA ( $f'c = 5000$  psi)
2. Reinforcing Steel Shall Conform to AASHTO M 31, ASTM A-615 Grade 60 Black Deformed Bars
3. All Exposed Corners to Have a  $\frac{3}{4}$ " Chamfer

Phoenix  
Precast  
Products

42" RCP Winged  
Headwall with Base

P/N: HWW-42B

Phoenix Precast Products